



## PRODUCTS CATALOGUE

— 产品目录 —

专注，所以更专业！

Dedicated  
makes professional.



### 浙江乐景电气有限公司

YUEQING OUYI ELECTRICAL CO., LTD.

浙江省丽水市莲都区南明山街道祥龙路166号（丽景民族工业园）

Add: No. 166 Xianglong Road, Nanmingshan Street, Liandu District,  
Lishui City, Zhejiang Province

Website : [www.olayksele.com](http://www.olayksele.com)

E-mail: [olayksele@163.com](mailto:olayksele@163.com)

Contact : +86-13819771781 +86-13706601971



微信



E-Name Card

乐景电气版权所有 纸张采用可回收



# CONTENTS

OUII ELECTRIC

- 01-04 Business Profile
  - 05-12 Waterproof Switch Socket Series
  - 13-24 Junction Box Series
  - 25-35 Terminal Block Series
  - 36-42 Waterproof Connector Series
  - 43-48 Electrical Parts Series
- 
- 01-04 公司介绍
  - 05-12 防水开关插座系列
  - 13-24 接线盒系列
  - 25-35 接线端子系列
  - 36-42 防水连接器系列
  - 43-48 电器配件系列

# OUII ELECTRIC PRODUCTS CATALOG

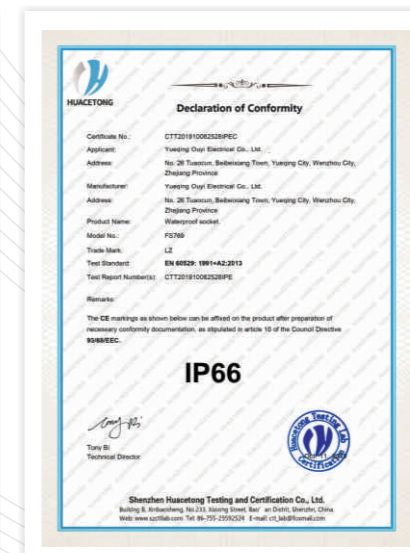
专注，所以更专业！

Dedicated  
makes professional.





专注，所以更专业！  
Dedicated makes professional.



# OUYI ELECTRIC

## BRIEF INTRODUCTION

### 企业简介

浙江乐景电气有限公司主厂房位于浙江省丽水市，并在温州市柳市镇设有分厂房。

本公司专注于研发及生产防水开关盒、接线盒、接线端子、电器配件等系列产品。我们的产品广泛应用于工业、家居、地产、交通等领域。

欢迎国内外客户莅临指导。

Our company is located in Lishui City, Zhejiang Province, and has a branch plant in Liushi Town, Yueqing of Wenzhou City, Zhejiang Province, P.R.China.

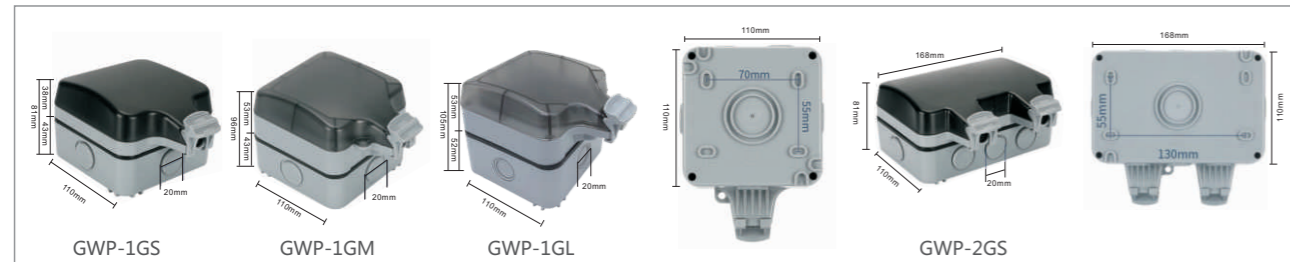
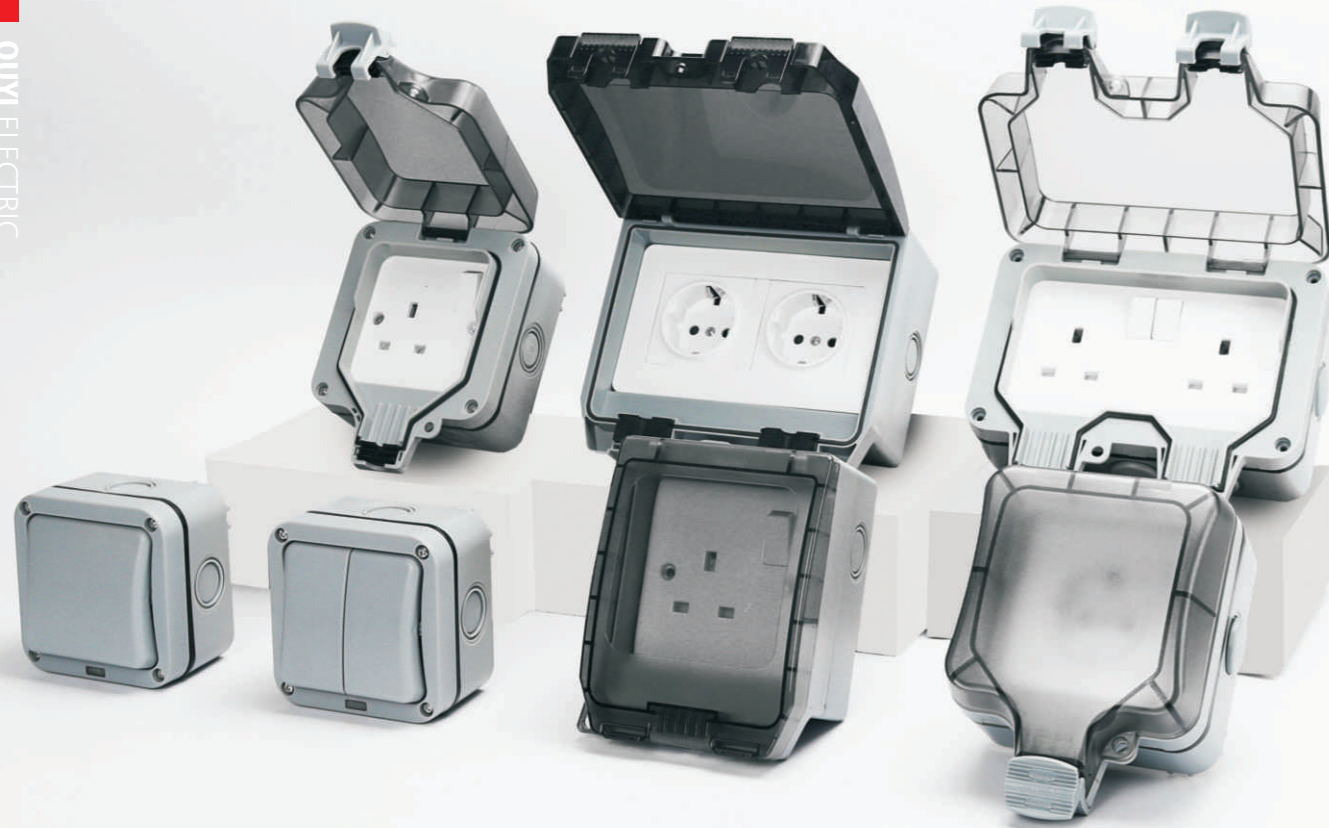
Our company focuses on developing and producing weatherproof switch boxes, junction boxes, terminal blocks, electrical parts and etc. Our products are widely used in industry, construction area, residential area, transportation and other fields.

We welcome the customers all over the world to visit us.

# WATERPROOF SWITCH SOCKET SERIES

## 防水开关插座系列

OUI ELECTRIC



- High quality impact resistant plastic with IP66 protection from water and dust ingress.
- Customer configurable - switch modules can be easily interchanged with most 86x86 types wall switches.
- Supplied with knock down holes and plug holes of base for choice.
- Easy to install indoor or outdoor, meanwhile the cover also can be sealed.

- 高质量的耐冲击塑料，IP66保护，有效防止水或灰尘进入。
- 用户可根据需要，配置多种不同型号和功能的86型墙壁开关。
- 底座有敲落孔款和堵塞孔款供选择。
- 户外插座安装方便，盖子可以上锁。

## GWP Series 20AX Waterproof Switch and Socket – IP66 GWP 系列防水开关、插座 - IP66



GWP-12 ( 1 Gang 2 Way 单开双控 )

Rated Voltage: 250V	IP Grade: IP66
Rated Current: 20A	PCS/CTN: 50 PCS



GWP-42 ( 2 Gang 2 Way 双开双控 )

Rated Voltage: 250V	IP Grade: IP66
Rated Current: 20A	PCS/CTN: 50 PCS



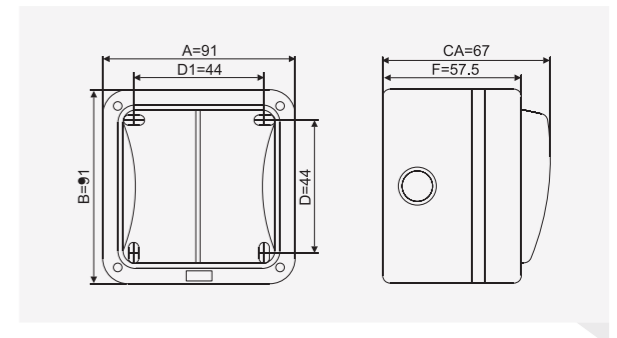
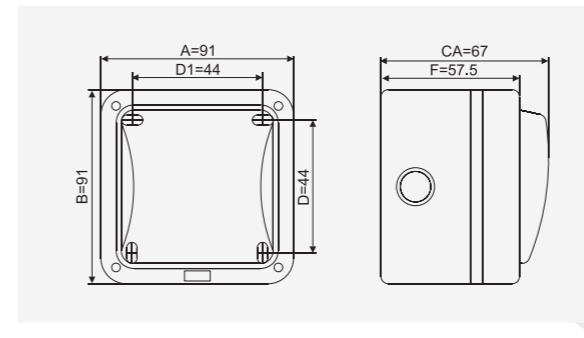
GWP-14 ( 1 Gang 2 Way Reactive 门铃 )

Rated Voltage: 250V	IP Grade: IP66
Rated Current: 20A	PCS/CTN: 50 PCS



GWP-20 ( 1 Gang Double Pole 单开双极 )

Rated Voltage: 250V	IP Grade: IP66
Rated Current: 20A	PCS/CTN: 50 PCS



WATERPROOF SWITCH SOCKET SERIES  
防水开关插座系列



- Model No.: GWP-BT101
- Fitted with:  
1 Gang British Standard Socket with Neon
- 英式一开带指示灯插座
- Rated Current: 13A



- Model No.: GWP-EU101
- Fitted with:  
1 Gang European Standard Socket with Neon
- 欧式一开带指示灯插座
- Rated Current: 15A



- Model No.: GWP-DE101
- Fitted with:  
1 Gang German Standard Socket
- 德式一位插座
- Rated Current: 16A



- Model No.: GWP-CN101
- Fitted with:  
1 Gang 5 Pin Socket
- 一开五孔插座
- Rated Current: 10A



- Model No.: GWP-CN102
- Fitted with:  
1 Gang 5 Pin with Double USB Socket
- 一位五孔带双USB插座
- Rated Current: 10A



- Model No.: GWP-CN103
- Fitted with:  
1 Gang 3 Pin with Earth Leakage Protection Socket
- 一位三孔带漏保插座
- Rated Current: 16A



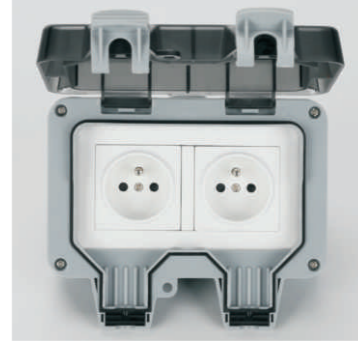
- Model No.: GWP-CN104
- Fitted with:  
1 Gang 3 Pin MF Socket with Neon
- 一开多功能三孔带指示灯插座
- Rated Current: 13A



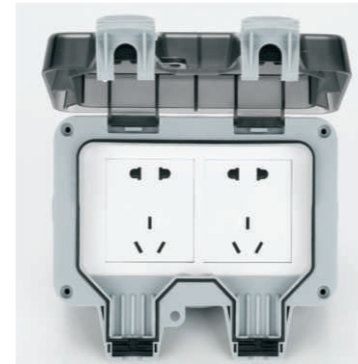
- Model No.: GWP-1GS  
一位出口款空盒
- Model No.: GWP-1GM  
一位加高空盒
- Model No.: GWP-1GL  
一位加高漏保空盒



- Model No.: GWP-BT201
- Fitted with:  
2 Gang British Standard Socket with Neon
- 英式两开带指示灯插座
- Rated Current: 13A



- Model No.: GWP-FR201
- Fitted with:  
2 Gang French Standard Socket
- 法式两位插座
- Rated Current: 16A



- Model No.: GWP-CN201
- Fitted with:  
2 Gang 10 Pin Socket
- 两位十孔插座
- Rated Current: 10A



- Model No.: GWP-CN202
- Fitted with:  
2 Gang 6 Pin MF Socket with Neon
- 两开多功能六孔插座
- Rated Current: 13A



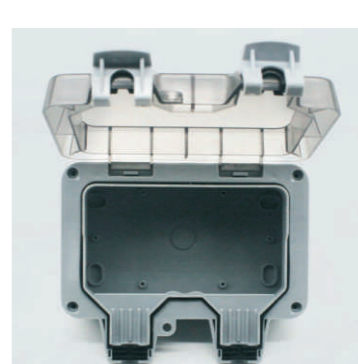
- Model No.: GWP-EU201
- Fitted with:  
2 Gang European Standard Socket with Neon
- 欧式两开带指示灯插座
- Rated Current: 15A



- Model No.: GWP-DE201
- Fitted with:  
2 Gang German Standard Socket
- 德式两位插座
- Rated Current: 16A



- Model No.: GWP-US201
- Fitted with:  
2 Gang American Standard Socket
- 美式两位插座
- Rated Current: 15A



- Model No.: GWP-2GS  
两位空盒

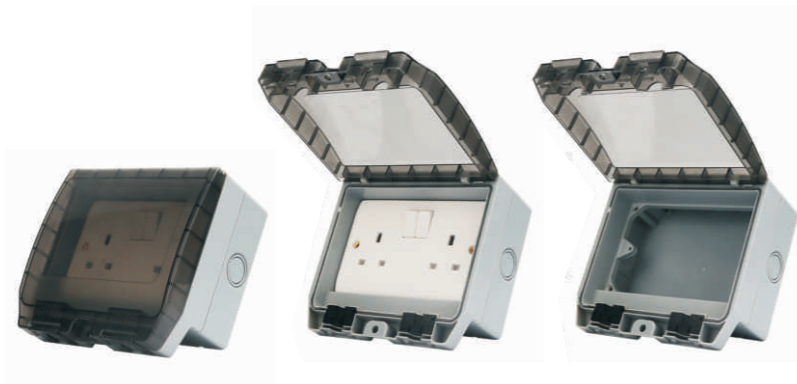
### GWF Series Waterproof switch Socket GWF 系列防水开关盒

防水开关插座系列  
WATERPROOF SWITCH SOCKET SERIES



Model	Cover L (mm)	Base L (mm)	W(mm)	H(mm)	PCS/CTN
GWF-BT102	135	113	100	81	20
GWF-1GS	135	113	100	81	20

\* Suitable for all 86\*86mm types wall switches. 适合所有86型墙壁开关



Model	Cover L (mm)	Base L (mm)	W(mm)	H(mm)	PCS/CTN
GWF-BT202	139	113	160	81	10
GWF-2GS	139	113	160	81	10

\* Suitable for all 86\*146mm types wall switches. 适合所有86型墙壁开关

### GWT10 Series Waterproof Switch Socket GWT10系列防水开关盒

SIZE: 136mm×87mm×95mm (Cover L)  
SIZE: 113mm×87mm×95mm (Base L)

GWT-101  
(10A)

GWT-102  
(10A)

GWT-103  
(16A)

GWT-104  
(13A)

GWT-105  
(13A)

GWT-106  
(15A)

GWT-107  
(16A)

GWT-108  
(16A)

室内室外 CHINT TYPE  
漏保专用防水盒 SOCKET MODULE

防水开关插座系列  
WATERPROOF SWITCH SOCKET SERIES

### GTL Series Cam Starter Switch GTL 系列凸轮开关

防水开关插座系列



Model	Volt	Amp	PCS/CTN
GTL-25A	500V	25A	12
GTL-32A	500V	32A	12
GTL-40A	500V	40A	10
GTL-63A	500V	63A	6
GTL-125A	500V	125A	2

### GUKF Series Waterproof Isolator Switch - IP65 GUKF 系列防水隔离开关 - IP65



Model	Rated Current	Pole No.	Wiring Diagram	IP Rating
GUKF1-16	16A	Single pole		IP66
GUKF1-20	20A			
GUKF1-35	35A			
GUKF1-63	63A	Double pole		IP66
GUKF2-20	20A			
GUKF2-35	35A			
GUKF2-63	63A	Triple pole		IP66
GUKF3-20	20A			
GUKF3-35	35A			
GUKF3-63	63A	Four pole		IP66
GUKF4-20	20A			
GUKF4-35	35A			
GUKF4-63	63A			

### GSA Series Aluminium Change Over Switch GSA 系列铝制转换开关

防水开关插座系列



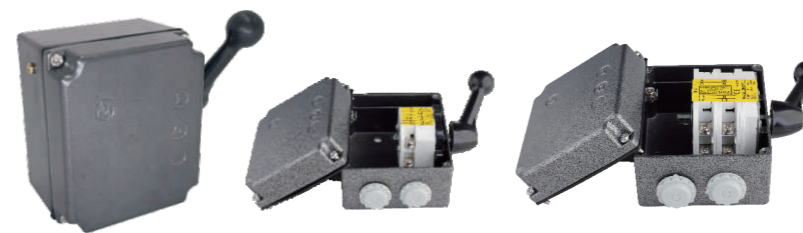
Model	Rated Current	Poles	Switch Size	L(mm)	W(mm)	H(mm)
GSA163	16A	3P	C1	150	210	107
GSA165	16A	3P+N	C1	150	210	107
GSA253	25A	3P	C1	150	210	107
GSA255	25A	3P+N	C1	150	210	107
GSA323	32A	3P	C1	150	210	107
GSA325	32A	3P+N	C1	150	210	107
GSA403	40A	3P	C1	150	210	107
GSA405	40A	3P+N	C1	150	210	107

### GKS Series Aluminum Switch GKS 系列铝制开关

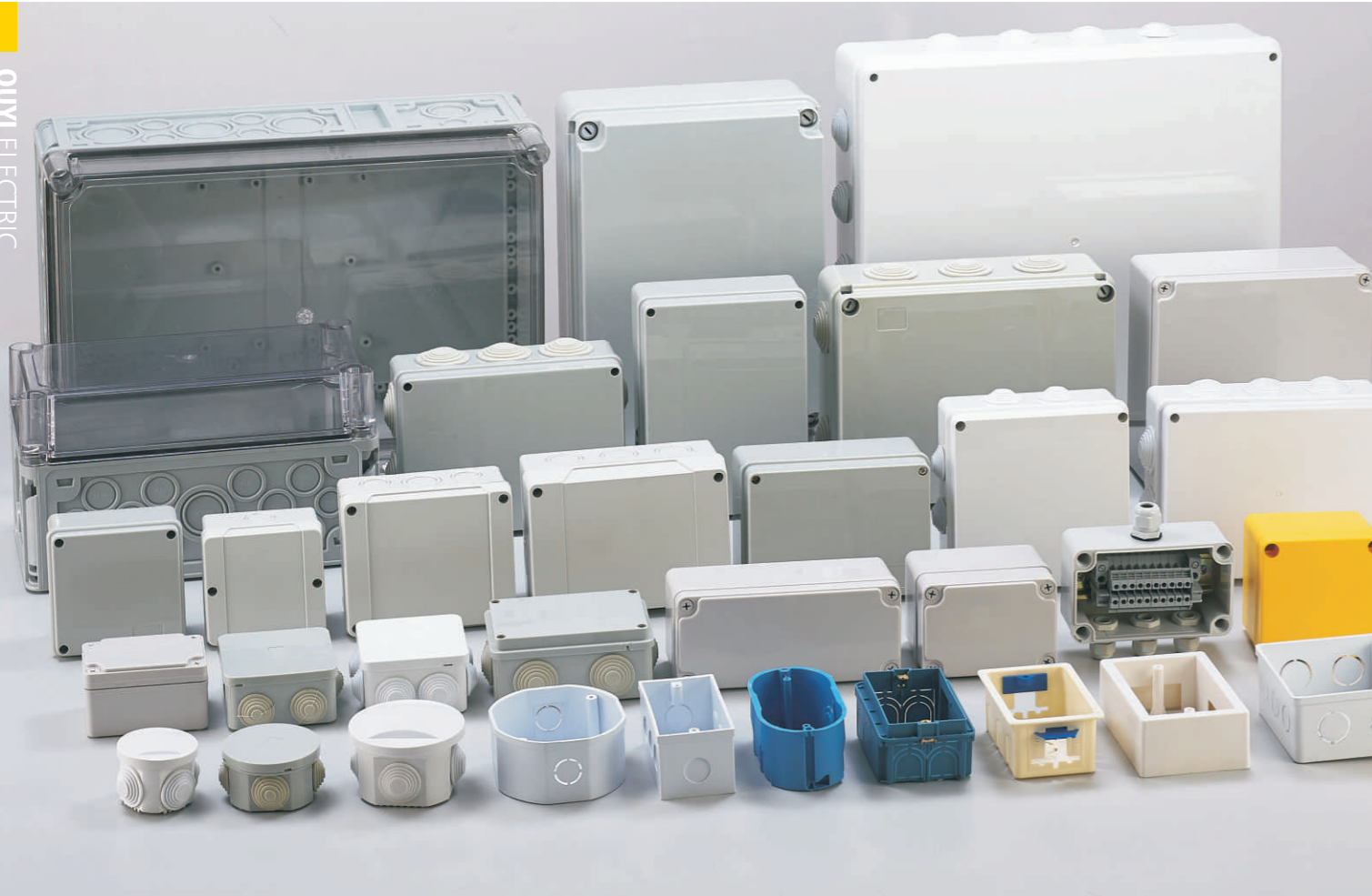


Model	Pole	Amp	PCS/CTN
GKS-325M	3P	25A	40
GKS-340M	3P	40A	20

### GQS Serise Cam Starter Switch GQS 系列凸轮开关



Model	Pole	Amp	PCS/CTN
GQS-220	2P	20A	40
GQS-232	2P	32A	40
GQS-240	2P	40A	40
GQS-263	2P	63A	40
GQS-420	4P	20A	40
GQS-432	4P	32A	40
GQS-440	4P	40A	6
GQS-463	4P	63A	6



# JUNCTION BOX SERIES

## 接线盒系列

专注，所以更专业！  
Dedicated makes professional.

1. The junction boxes are made of ABS, PC, aluminum or other materials, with nice appearance and very firm.
  2. The cover is fixed with four plastic screws or metal screws.
  3. Many sizes for choice, and OEM service is available.
1. 采用ABS、PC、铝等材料制成，外形美观大方，非常牢固。
  2. 盖子采用四个不易脱落的塑料螺丝或金属螺丝固定。
  3. 产品规格选择多样化，也可按规格随客户要求设计。

## Surface Mounting Watertight Junction Box 防水接线盒



GWH Series: with knockout and rubber seal  
GWH系列：带孔和橡胶塞



GWS Series: without knockout  
GWS系列：不开孔

## GWT Series Surface Mounting Watertight Junction Box GWT 系列防水接线盒



Model (With Knockout)	Model (W/O Knockout)	L×W×H(mm)	PCS/CTN
GWH-1	/	65*35	250
GWH-2	/	80*40	200
GWH-3	GWS-1	80*80*40	200
GWH-4	GWS-2	100*100*50	100
GWH-12	GWS-10	100*100*70	100
GWH-13	GWS-11	100*100*80	
GWH-14	GWS-12	100*100*100	
GWH-5	GWS-3	120*80*50	100
GWH-6	GWS-4	150*110*70	60
GWH-15	GWS-13	150*150*100	
GWH-16	GWS-14	150*150*70	60
GWH-7	GWS-5	190*140*70	30
GWH-17	GWS-15	200*200*80	40
GWH-8	GWS-6	240*190*90	20
GWH-18	GWS-16	240*190*125	
GWH-19	GWS-17	255*200*80	40
GWH-9	GWS-7	300*220*120	10
GWH-20	GWS-18	300*220*170	
GWH-21	GWS-19	300*250*120	20
GWH-10	GWS-8	380*300*120	10
GWH-22	GWS-20	380*300*170	10
GWH-11	GWS-9	460*380*130	5

\* Metal type or plastic type screws for choice.  
\* 金属螺丝或塑料螺丝可选。

Model	L(mm)	W(mm)	H(mm)	PCS/CTN
GWT-1	80	80	40	200
GWT-2	110	110	60	150
GWT-3	110	110	110	90
GWT-4	155	115	80	72
GWT-5	155	115	110	50
GWT-6	215	150	80	42
GWT-7	215	150	90	42
GWT-8	215	150	105	30
GWT-9	215	150	110	30
GWT-10	255	200	110	20
GWT-11	255	200	160	14
GWT-12	310	230	145	12



\*部分开孔展示效果图  
Hole-opened Examples



\*可定制开孔、可激光可刻字。  
The holes can be opened as customized.  
And laser also can make as required.

### SC Series IP67 Transparent Protective Window Cover SC IP67 系列透明保护窗罩



### GAG Series Waterproof Junction Box GAG 系列防水接线盒



Model	L(mm)	W(mm)	H(mm)	PCS/CTN
GAG-1	95	65	55	160
GAG-2	100	100	75	140
GAG-3	100	100	100	100
GAG-4	110	80	50	135
GAG-5	110	80	85	75
GAG-6	125	125	75	72
GAG-7	125	125	100	60
GAG-8	130	80	85	120
GAG-9	170	140	100	45
GAG-10	175	125	75	60
GAG-11	175	125	100	48
GAG-12	175	175	100	36
GAG-13	180	80	70	90
GAG-14	200	150	100	40
GAG-15	200	150	130	32
GAG-16	200	200	100	30
GAG-17	200	200	130	24
GAG-18	250	80	85	60
GAG-19	250	150	100	32
GAG-20	250	150	130	32
GAG-21	280	190	130	16
GAG-22	280	280	130	10
GAG-23	380	280	130	10

**TXMS Series Surface Type Distribution Box ( Plastic / Metal Base )**  
TXMS系列明装配电箱 ( 塑料底 / 金属底 )

WATERPROOF JUNCTION BOX SERIES  
接线盒系列



MODEL	L(mm)	W(mm)	H(mm)	PCS/CTN
TXMS -2WAYS	94	146	85	50
TXMS -3WAYS	173	183	103	30
TXMS -4WAYS	112	200	94	30
TXMS -6WAYS	146	200	94	30
TXMS -8WAYS	184	200	94	30
TXMS -10WAYS	222	200	94	20
TXMS -12WAYS	256	200	94	20
TXMS -15WAYS	312	200	94	15
TXMS -18WAYS	363	200	94	15
TXMS -24WAYS	270	325	94	10
TXMS -36WAYS	270	458	94	5

**TXMF Series Flush Type Distribution Box ( Plastic / Metal Base )**  
TXMF系列暗装配电箱 ( 塑料底 / 金属底 )



MODEL	L(mm)	W(mm)	H(mm)	PCS/CTN
TXMF -4WAYS	135	222	85	30
TXMF -6WAYS	171	222	85	30
TXMF -8WAYS	207	222	85	30
TXMF -10WAYS	244	222	85	20
TXMF -12WAYS	280	222	85	20
TXMF -15WAYS	334	222	85	15
TXMF -18WAYS	399	251	92	15
TXMF -24WAYS	300	344	98	10
TXMF -36WAYS	300	481	98	5

**GHE Series Distribution Box**  
GHE 系列暗装配电箱



Model	L(mm)	W(mm)	H(mm)	PCS/CTN
GHE-9WAYS	269	214	97	10
GHE-12WAYS	324	214	93	5
GHE-16WAYS	395	214	93	5
GHE-24WAYS	323	363	93	5

**GHT Series Distribution Box**  
GHT系列塑料配电箱



MODEL	L(mm)	W(mm)	H(mm)	PCS/CTN
GHT-2WAYS	53	124	78	100
GHT-3WAYS	73	152	93	100
GHT-5WAYS	119	159	90	40
GHT-8WAYS	201	155	90	30
GHT-12WAYS	255	198	108	20
GHT-15WAYS	309	198	108	15
GHT-18WAYS	363	198	108	15
GHT-24WAYS	265	350	110	10

**GHA Series Distribution box**  
GHA系列塑料配电箱



MODEL	L(mm)	W(mm)	H(mm)	PCS/CTN
GHA-4WAYS	140	210	100	30
GHA-8WAYS	215	210	100	20
GHA-12WAYS	300	260	140	10
GHA-18WAYS	410	285	140	5
GHA-24WAYS	415	300	140	5

**GHPN Series Waterproof Distribution box**  
GHPN系列塑料配电箱



MODEL	L(mm)	W(mm)	H(mm)	PCS/CTN
GHP4N	107	212	92	30
GHP6N	165	200	100	20
GHP9N	219	200	100	20
GHP12N	273	230	110	20
GHP18N	381	230	110	10
GHP24N	273	380	110	10
GHP36N	381	380	110	10

### GHAG Series Distribution Box GHAG 系列配电箱

接线盒系列



MODEL	L(mm)	W(mm)	H(mm)	PCS/CTN
GHAG-1WAY	34	130	60	300
GHAG-2WAYS	52	130	60	240
GHAG-4WAYS	87	130	60	150
GHAG-6WAYS	125	160	60	120
GHAG-8WAYS	160	160	60	60
GHAG-12WAYS	258	160	60	20
GHAG-18WAYS	365	160	60	20

### GPD Series Adaptable Box GPD 系列接线盒



Model	L(mm)	W(mm)	H(mm)	PCS/CTN
GPD-1	100/4"	100/4"	50/2"	100
GPD-2	100/4"	100/4"	75/3"	100
GPD-3	150/6"	150/6"	75/3"	60
GPD-4	230/9"	230/9"	75/3"	24
GPD-5	300/12"	300/12"	75/3"	16
GPD-6	300/12"	300/12"	100/4"	16

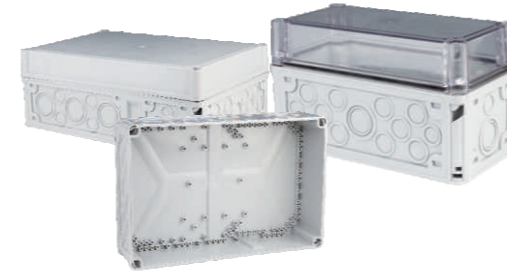
### GBT Series Plastic Thermostat Guards Box GBT 系列塑料温控器接线盒



Model	L(mm)	W(mm)	H(mm)	PCS/CTN
GBT-EK	130	120	75	12
GBT-K	167	150	85	12
GBT-RK	195	120	85	12
GBT-DK	218	145	63	12
GBT-UK2	255	158	98	12

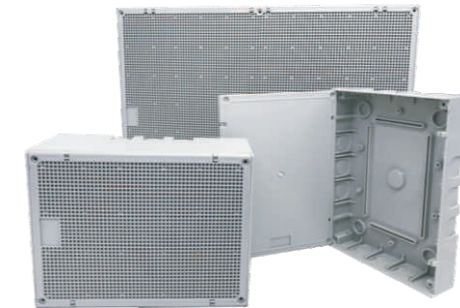
### GHB Series Junction Box GHB 系列防水接线盒

接线盒系列



Model	L(mm)	W(mm)	H(mm)	PCS/CTN
GHB-1	300	150	160	10
GHB-2	300	300	160	6
GHB-3	450	300	160	4
GHB-4	600	300	160	2

### GHC Series Multifunctional Supporting Base Junction Box GHC 系列防水接线盒



Model	L(mm)	W(mm)	H(mm)	PCS/CTN
GHC-1	200	150	40	80
GHC-2	200	150	80	40
GHC-3	300	200	40	40
GHC-4	300	200	80	40
GHC-5	400	300	60	12
GHC-6	400	300	80	10

### GHD Series Buckle Type Sealed Waterproof Distribution Box - IP66 GHD系列卡扣式密封防水配电箱-IP66



Model	L(mm)	W(mm)	H(mm)	PCS/CTN
GHD-1	300	200	160	6
GHD-2	300	200	170	6
GHD-3	400	300	160	6
GHD-4	400	300	170	4
GHD-5	400	300	180	
GHD-6	500	400	200	3
GHD-7	600	400	220	3
GHD-8	600	500	220	2
GHD-9	800	600	250	

### GMK Series Wall-mounting Boxes in Die-cast Aluminium - IP66

GMK 系列防水接线盒 - IP66

JUNCTION BOX SERIES



Model	L(mm)	W(mm)	H(mm)
GMK-1	51	52	40
GMK-2	50	65	35
GMK-3	60	85	33
GMK-4	60	120	35
GMK-5	65	65	57
GMK-6	65	65	81
GMK-7	65	65	35
GMK-8	65	72	47
GMK-9	68	100	35
GMK-10	68	100	60
GMK-11	68	100	43
GMK-12	68	100	68
GMK-13	70	130	35
GMK-14	70	130	45
GMK-15	70	130	60
GMK-16	70	130	68
GMK-17	140	105	85
GMK-18	140	105	105
GMK-19	160	160	90
GMK-20	230	300	90
GMK-21	230	300	110

### GML Series Wall-mounting Boxes in Die-cast Aluminium - IP66

GML 系列防水接线盒 - IP66



Model	Internal Dim.(mm)	Install Dim.(mm)	PCS/CTN
GML-1	91×91×54	88×80	100
GML-2	128×103×57	121×102	50
GML-3	155×130×58	144×125	50
GML-4	178×156×75	168×149	30
GML-5	239×202×85	226×196	10
GML-6	294×244×114	275×236	6
GML-7	392×298×149	367×283	4

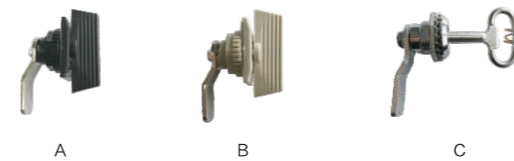
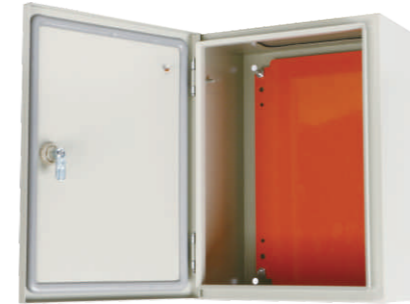
### GMM Series Metal Junction Box

GMM 系列金属接线盒



Model	L(mm)	W(mm)	H(mm)	PCS/CTN
GMM-1	100	100	50	50
GMM-2	100	100	75	50
GMM-3	100	100	100	30
GMM-4	150	150	50	30
GMM-5	150	150	75	30
GMM-6	150	150	100	27
GMM-7	200	200	50	20
GMM-8	200	200	100	12
GMM-9	225	225	100	12
GMM-10	225	225	75	20
GMM-11	250	250	50	24
GMM-12	250	250	100	12
GMM-13	300	300	50	10
GMM-14	300	300	100	6

### Metal Enclosure 基业箱



MODEL	Dimension(mm)			Thickness(mm)	
	L	W	H		
DB-2215	200	200	150	1.2	1.2
DB-2250	250	200	150	1.2	1.2
DB-2315	300	200	150	1.2	1.2
DB-2320	300	200	200	1.2	1.2
DB-3320	300	300	200	1.2	1.2
DB-3325	300	300	250	1.2	1.2
DB-3415	400	300	150	1.2	1.2
DB-3420	400	300	200	1.2	1.2
DB-3430	400	300	300	1.2	1.2
DB-4415	400	400	150	1.2	1.2
DB-4420	400	400	200	1.2	1.2
DB-4425	400	400	250	1.2	1.2
DB-4430	400	400	300	1.2	1.2
DB-3515	500	300	150	1.2	1.2
DB-3520	500	300	200	1.2	1.2
DB-3525	500	300	250	1.2	1.2
DB-3530	500	300	300	1.2	1.2
DB-4515	500	400	150	1.2	1.2
DB-4520	500	400	200	1.2	1.2
DB-4525	500	400	250	1.2	1.2
DB-4530	500	400	300	1.2	1.2
DB-5515	500	500	150	1.2	1.2
DB-5530	500	500	300	1.2	1.2
DB-4615	600	400	150	1.2	1.2
DB-4620	600	400	200	1.2	1.2
DB-4630	600	400	300	1.2	1.2
DB-5620	600	500	200	1.5	1.2
DB-6615	700	600	150	1.5	1.2
DB-6620	700	600	200	1.5	1.2
DB-5720	700	500	200	1.5	1.2
DB-5725	800	500	250	1.5	1.2
DB-6720	800	600	200	1.5	1.2
DB-6820	800	600	200	1.5	1.2
DB-8820	1000	800	200	1.5	1.5
DB-8830	1000	800	300	2.0	1.5
DB6-1020	1000	600	200	2.0	1.5
DB6-1025	1000	600	250	2.0	1.5
DB6-1030	1000	600	300	2.0	1.5
DB8-1020	1000	800	200	2.0	1.5
DB10-1025	1000	1000	250	2.0	1.5
DB10-1030	1000	1000	300	2.0	1.5
DB6-1220	1000	800	200	2.0	1.5
DB8-1630	1000	800	300	2.0	1.5
DB10-1630	1000	1000	300	2.0	1.5

JUNCTION BOX SERIES

### Outside Unipolar Twilight Sensor-IP54 IP54光控器



MODEL: CR101ES      MODEL: CR201ES  
PCS/CTN: 66/100 PCS      PCS/CTN: 66/100 PCS

### Transparent Waterproof Box-IP55 IP55透明防溅盒



MODEL: GME-120      MODEL: GME-220  
PCS/CTN: 100 PCS      PCS/CTN: 60 PCS  
SIZE: 120x101x48MM      SIZE: 120x162x50MM

### Lighting Cut out Fuse Box 熔断器盒

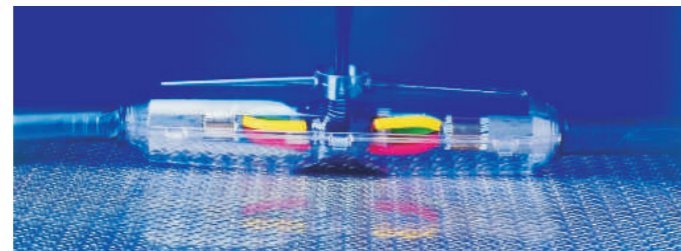


Metal Fuse Box  
1, 2, 3, 4 MCB  
10A 6KA C/W Available

MODEL: GMV35      MODEL: GMVL/435      MODEL: GMVS/435  
PCS/CTN: 40 PCS      PCS/CTN: 40 PCS      PCS/CTN: 40 PCS

### GMF Series Cast Resin Straight Through Joint GMF 系列灌胶接线盒

Model	LxDxH	WIRE SECTION	Max Cable Dia(mm)	PCS/CTN
M11	190x36x50	4* 4-16mm <sup>2</sup>	≤26mm	20
M12	260x47x63	4* 25-50mm <sup>2</sup>	≤34mm	10
M13	360x55x75	4* 70-95mm <sup>2</sup>	≤43mm	10
M14	400x70x95	4* 75-120mm <sup>2</sup>	≤48mm	10



### Waterproof Enclosure - IP66 IP66 防水盒



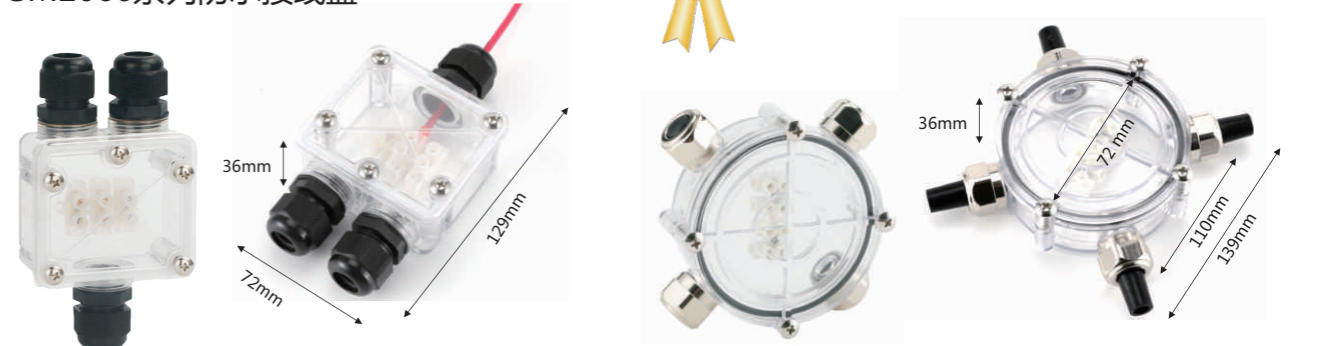
MODEL: G56CB4N      MODEL: G56CB8N      MODEL: GLP66  
( Available for 1-4P, MCB+RCD'S )      ( Available for 5-8P, NMCB+RCD'S )  
PCS/CTN: 20 PCS      PCS/CTN: 10 PCS      PCS/CTN: 20 PCS  
( Available with attached socket module )

### Junction Box 接线盒



MODEL: GMA-1WAY/2WAYS      MODEL: GHT-2WAYS      MODEL: GMC-3WAYS  
PCS/CTN: 240 PCS      PCS/CTN: 100 PCS      PCS/CTN: 40 PCS

### GM2066 Series Waterproof Junction Box GM2066系列防水接线盒



GM2066-3T

GM2066-4T



# TERMINAL BLOCK SERIES

## 接线端子系列

专注，所以更专业！  
Dedicated will be more professional

Terminal block is an accessory product used to realize electrical connection. With the development of industrial automation, the amount of wiring terminals has gradually increased, meanwhile the scope and types have also increased.

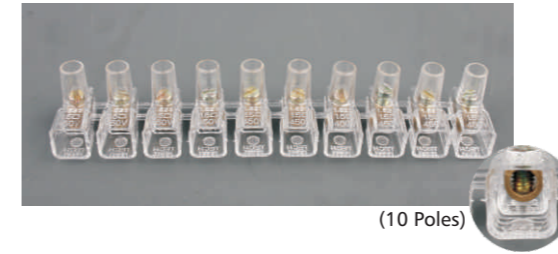
接线端子就是用于实现电气连接的一种配件产品。随着工业自动化的发展，接线端子的用量逐渐上涨，使用范围和种类也越来越多。

## GP系列终端接线端子 GP Series End Terminal Blocks

PC material, radiation resistant,  
Working temperature: -40°C~85°C;  
Brass terminal, galvanized screw;  
Voltage range: 250-450V.

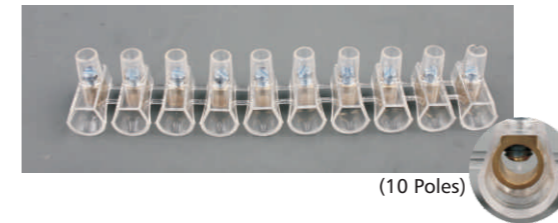
PC材质，耐辐射，  
工作温度：-40°C~85°C；  
黄铜接线柱、镀锌螺丝；  
电压范围：250-450V.

### GPA One-side Entry Connector



Model	Wire Section	L(mm)	W(mm)	H(mm)	Screw Size
GPA-1.5	1.5mm <sup>2</sup>	92	15.3	15.5	M3.3
GPA-2.5	2.5mm <sup>2</sup>	98.4	17.4	16.4	M3.7

### GPB One-side Entry Connector



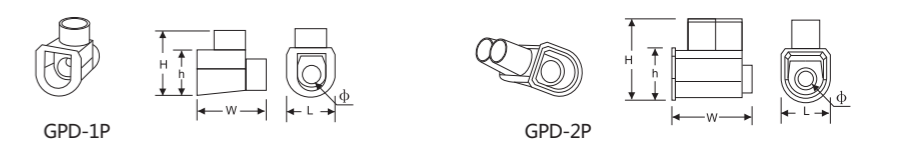
Model	Wire Section	L(mm)	W(mm)	H(mm)	Screw Size
GPB-2.5	2.5mm <sup>2</sup>	98.4	17.4	16.4	M3.5
GPB-4	4mm <sup>2</sup>	115.2	20.1	19.1	M3.5
GPB-6	6mm <sup>2</sup>	134.2	22.6	22.5	M5.0
GPB-10	10mm <sup>2</sup>	161.8	26.9	26.5	M6.0
GPB-16	16mm <sup>2</sup>	220.0	31.3	32.0	M8.0
GPB-25	25mm <sup>2</sup>	240.5	38.3	39.8	M10.0

### GPC One-side Entry Connector



Model	Wire Section	L(mm)	W(mm)	H(mm)	Screw Size
GPC-2.5	2.5mm <sup>2</sup>	48.0	17.4	16.4	M4.0
GPC-4	4mm <sup>2</sup>	58.5	20.0	20.0	M3.5
GPC-6	6mm <sup>2</sup>	67.5	22.5	23.5	M5.0
GPC-10	10mm <sup>2</sup>	82.0	27.0	27.0	M6.0
GPC-16	16mm <sup>2</sup>	110.0	31.0	33.1	M8.0
GPC-25	25mm <sup>2</sup>	140.0	38.0	39.0	M10
GPC-35	35mm <sup>2</sup>	150.0	34.0	44.0	M10

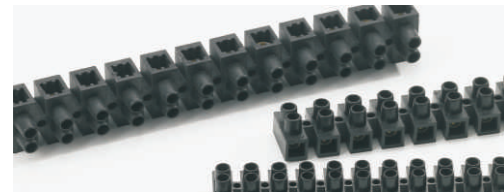
### GPD Type Terminal Block



Model	Wire Section	Volt(V)	L(mm)	W(mm)	H(mm)	h(mm)	φ(mm)	Screw Size
GPD-1P	6mm <sup>2</sup>	380	12	20	22.5	14	5.7	M4.0
GPD-2P	6mm <sup>2</sup>	380	12	17	22.5	14	5.7	M4.0

## Terminal Block 接线端子

TERMINAL BLOCK SERIES  
接线端子系列



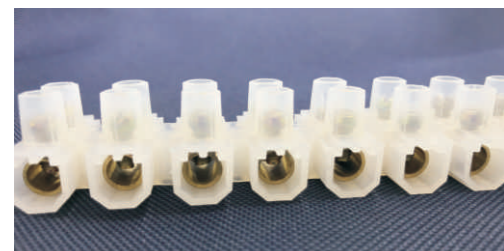
H Type



U Type



G Type



V Type

Model	Wire Section	Amp	Volt	Material
GTH/GTU-3	2.5/4mm <sup>2</sup>	3A	380V	PA / PE / PP
GTH/GTU-5	6mm <sup>2</sup>	5A	380V	PA / PE / PP
GTH/GTU-10	10mm <sup>2</sup>	10A	380V	PA / PE / PP
GTH/GTU-15	12mm <sup>2</sup>	15A	380V	PA / PE / PP
GTH/GTU-20	14mm <sup>2</sup>	20A	380V	PA / PE / PP
GTH/GTU-30	16mm <sup>2</sup>	30A	380V	PA / PE / PP
GTH/GTU-60	25mm <sup>2</sup>	60A	380V	PA / PE / PP
GTH/GTU-80	30mm <sup>2</sup>	80A	380V	PA / PE / PP
GTH/GTU-100	35mm <sup>2</sup>	100A	380V	PA / PE / PP
GTH/GTU-150	40mm <sup>2</sup>	150A	380V	PA / PE / PP

Model	Wire Section	Amp	Volt	Material
GTG-6	6mm <sup>2</sup>	6A	380V	PA / PE / PP
GTG-10	10mm <sup>2</sup>	15A	380V	PA / PE / PP
GTG-30	16mm <sup>2</sup>	30A	380V	PA / PE / PP
GTG-60	25mm <sup>2</sup>	60A	380V	PA / PE / PP

Model	Wire Section	Amp	Volt	Material
GTV-3	2.5/4mm <sup>2</sup>	3A	380V	PA / PE / PP
GTV-5	6mm <sup>2</sup>	5A	380V	PA / PE / PP
GTV-10	10mm <sup>2</sup>	10A	380V	PA / PE / PP
GTV-15	12mm <sup>2</sup>	15A	380V	PA / PE / PP
GTV-20	14mm <sup>2</sup>	20A	380V	PA / PE / PP
GTV-30	16mm <sup>2</sup>	30A	380V	PA / PE / PP
GTV-60	25mm <sup>2</sup>	60A	380V	PA / PE / PP
GTV-80	30mm <sup>2</sup>	80A	380V	PA / PE / PP
GTV-100	35mm <sup>2</sup>	100A	380V	PA / PE / PP
GTV-150	40mm <sup>2</sup>	150A	380V	PA / PE / PP

## Copper Terminal Blocks Series 铜接线端子系列

TERMINAL BLOCK SERIES  
接线端子系列



### GT8×1 Type

Model	Wire Section	Rated voltage(V)	L	B	H	E	Hole.Qty	Plastic Setting
GT8-16	16mm <sup>2</sup>	500V	173	26	24	21	8	PA
GT8-25	25mm <sup>2</sup>	500V	205	31	27	25	8	PA
GT8-35	35mm <sup>2</sup>	500V	250	41	33	30	8	PA
GT8-50	50mm <sup>2</sup>	500V	260	41	35	31.5	8	PA
GT8-70	70mm <sup>2</sup>	500V	270	42	38	33	8	PA

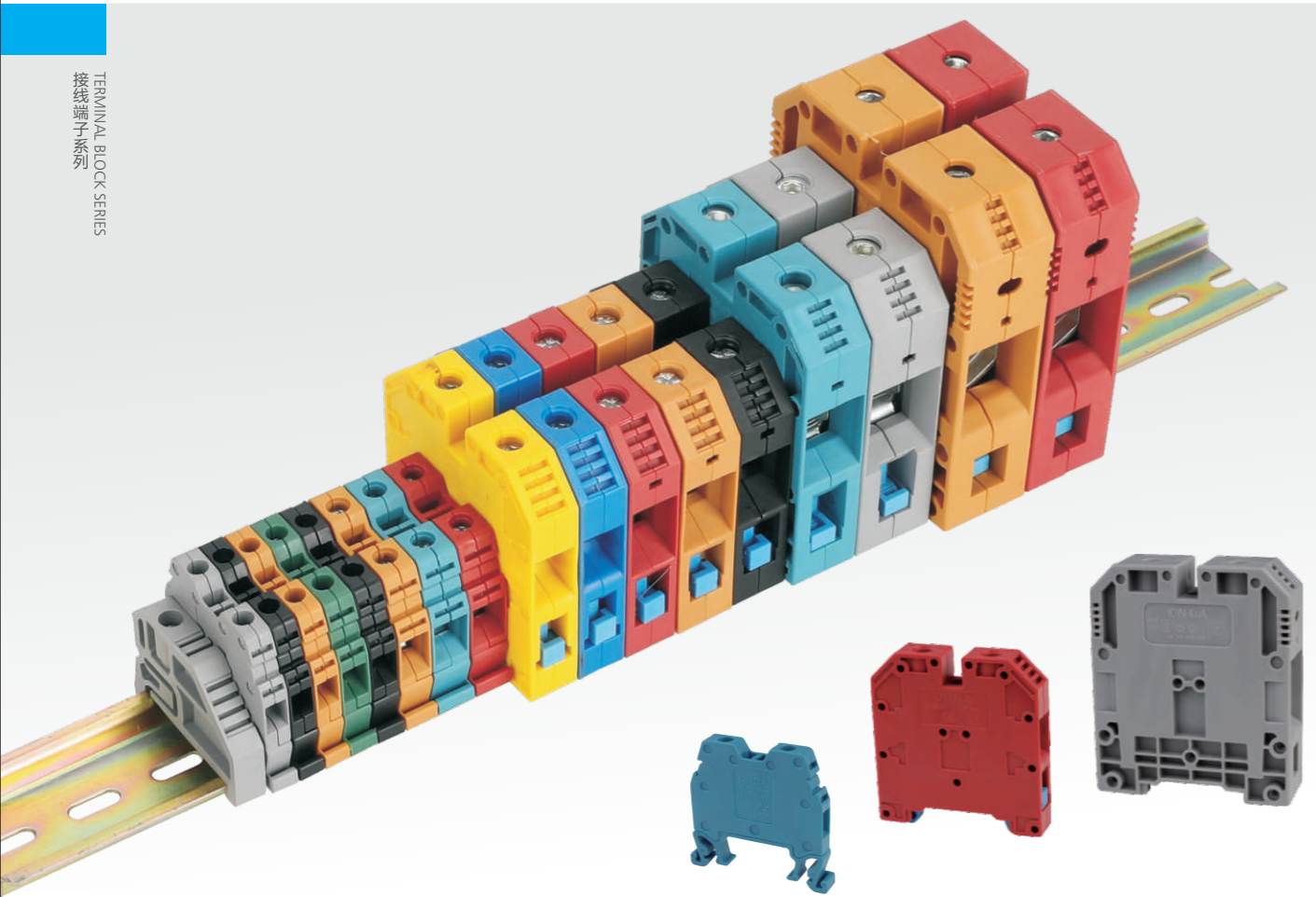
### GTB Box

Model	Wire Section	Rated voltage(V)	L	W	H	Hole.Qty	Housing Plastic
GTB-35	35mm <sup>2</sup>	500V	147	107	50	4	ABS
GTB-50	50mm <sup>2</sup>	500V	147	107	50	4	ABS
GTB-70	70mm <sup>2</sup>	500V	147	107	50	4	ABS

### GLT×1 Type



Model	Wire Section	Screw Size	Material
GLT-6	6mm <sup>2</sup>	M4.0	PA / PE / PP
GLT-10	10mm <sup>2</sup>	M5.0	PA / PE / PP
GLT-16	16mm <sup>2</sup>	M8.0	PA / PE / PP
GLT-25	25mm <sup>2</sup>	M9.0	PA / PE / PP
GLT-35	35mm <sup>2</sup>	M12	PA / PE / PP
GLT-50	50mm <sup>2</sup>	M14	PA / PE / PP
GLT-70	70mm <sup>2</sup>	M14	PA / PE / PP
GLT-95	95mm <sup>2</sup>	M18	PA / PE / PP
GLT-120	120mm <sup>2</sup>	M22	PA / PE / PP



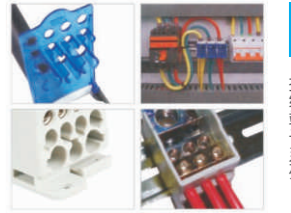
### MRK Series Screwed Type Rail Terminal Blocks MRK 系列导轨式接线端子

Model	Wire Section	Voltage	Current	Box QTY	Ctn Qty
MRK-Baffle				100	2800
MRK-2.5	2.5mm <sup>2</sup>	750V	24A	100	2800
MRK-4	4mm <sup>2</sup>	750V	32A	100	2800
MRK-6	6mm <sup>2</sup>	750V	41A	100	2000
MRK-10	10mm <sup>2</sup>	750V	57A	100	2000
MRK-16	16mm <sup>2</sup>	750V	76A	50	600
MRK-25	25mm <sup>2</sup>	750V	100A	30	600
MRK-35	35mm <sup>2</sup>	750V	125A	30	600
MRK-50	50mm <sup>2</sup>	1000V	150A	20	350
MRK-70	70mm <sup>2</sup>	1000V	192A	20	350
MRK-95	95mm <sup>2</sup>	1000V	232A	10	150
MRK-120	120mm <sup>2</sup>	1000V	269A	10	150

### GUKK Series Unipolar Junction Box GUKK 系列单级分线盒

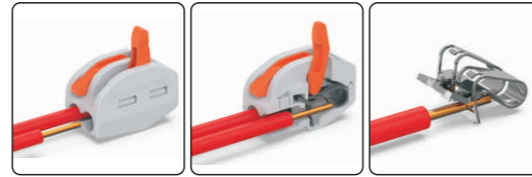
- Material: PA Nylon.
- Grade of flame retardant : UL94V0
- Metal material: brass
- The transparent cover is better for checking the cable working condition.

- 材料：PA、尼龙
- 防火等级：UL94V0
- 金属材质：黄铜
- 透明外壳可以更好的观察工作情况。



Model	Current(A)	Voltage(A)	Conductors with starfix temules X-section(mm <sup>2</sup> )	Hole QTY (PCS)	Dimension (L×W×H)(mm)
GUKK-80	80A	690V IEC	6 to 16 2.5 to 6	×1 ×4	28×65×47
GUKK-125	125A	690V IEC	10 to 35 6 to 16 2.5 to 16	×1 ×4 ×6	28×74×48
GUKK-160	160A	690V IEC	10 to 70 6 to 16 2.5 to 16	×1 ×4 ×6	28×74×48
GUKK-250	250A	690V IEC	35 to 120 6 to 35 2.5 to 16 2.5 to 10	×1 ×2 ×5 ×4	47×95×50
GUKK-400	400A	690V IEC	90 to 185 6 to 35 2.5 to 16 2.5 to 10	×1 ×2 ×5 ×4	47×95×50
GUKK-500	500A	690V IEC	4×15.5×0.8 to 8x24 6 to 35 2.5 to 16 2.5 to 10	×1 ×2 ×5 ×4	49×95×50

## Compact Splicing Connectors 紧凑型快速连接器



Cage Spring Terminal Block For hard wire and flexible wire 软硬线通用  
笼式弹簧接线端子

21 Series Regular Type 21系列常规款

接线范围/Wire Range: 硬线/Hard Wire: 0.08-4.0mm <sup>2</sup> AWG28-12 软线/Flexible Wire: 0.08-2.5mm <sup>2</sup> AWG28-14		电压/Voltage: 250V 电流/Current: 32A 材质/Material: PA66		 9-10mm/0.39in
<b>PCT-212</b> Size:(LxWxH) 12.5x21.1x14.4mm	<b>PCT-213</b> Size:(LxWxH) 17.1x21.1x14.4mm	<b>PCT-214</b> Size:(LxWxH) 21.7x21.1x14.4mm	<b>PCT-215</b> Size:(LxWxH) 26.3x21.1x14.4mm	<b>PCT-218</b> Size:(LxWxH) 40.4x21.1x14.4mm

Both sides in line Series 双边进线系列

接线范围/Wire Range: 硬线/Hard Wire: 0.08-4.0mm <sup>2</sup> AWG28-12 软线/Flexible Wire: 0.08-2.5mm <sup>2</sup> AWG28-14		电压/Voltage: 250V 电流/Current: 32A 材质/Material: PA66		 9-10mm/0.39in
<b>PCT-223-2R</b> Size:(LxWxH) 13x39x14.5mm	<b>PCT-223-3R</b> Size:(LxWxH) 18.5x39x14.5mm	<b>PCT-223-4R</b> Size:(LxWxH) 23x39x14.5mm	<b>PCT-223-5R</b> Size:(LxWxH) 28x39x14.5mm	

\* PCT 2-2 series and YS-42/63 series products are suitable for wiring junction boxes and lighting appliances, etc.  
\* These series connector with compact cage spring connection technology can connect multiple thin wires from 0.08mm<sup>2</sup> to 4mm<sup>2</sup> and hard wires less than or equal to 2.5mm<sup>2</sup>, without any tools for operation.

\* PCT 2-2系列和YS-42/63系列产品适用于接线盒以及照明器具等的接线。  
\* 应用了紧凑型笼式弹簧连接技术的PCT-2系列和YS-42/63系列连接器可连接0.08mm<sup>2</sup>至4mm<sup>2</sup>的多股细导线及小于等于2.5mm<sup>2</sup>的硬导线，操作无需使用任何工具。

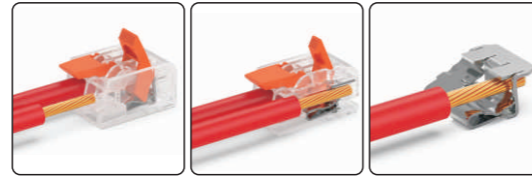
Both sides in line Series 双边进线系列

接线范围/Wire Range: 硬线/Hard Wire: 0.08-4.0mm <sup>2</sup> AWG28-12 软线/Flexible Wire: 0.08-2.5mm <sup>2</sup> AWG28-14		电压/Voltage: 250V 电流/Current: 32A 材质/Material: PA66		 9-10mm/0.39in
<b>PCT-2-2 / PCT-2-2H</b> Size:(LxWxH) 13.6x40.3x14.5mm	<b>PCT-2-3 / PCT-2-3H</b> Size:(LxWxH) 18.6x40.3x14.5mm	<b>PCT-2-4</b> Size:(LxWxH) 23.6x40.3x14.5mm	<b>PCT-2-5</b> Size:(LxWxH) 28.6x40.3x14.5mm	

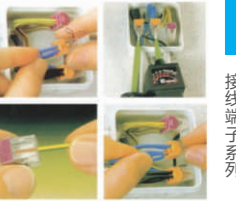
Both sides in line Series 双边进线系列

接线范围/Wire Range: 硬线/Hard Wire: 0.08-4.0mm <sup>2</sup> AWG28-12 软线/Flexible Wire: 0.08-2.5mm <sup>2</sup> AWG28-14		电压/Voltage: 250V 电流/Current: 32A 材质/Material: PA66		 9-10mm/0.39in
<b>PCT-2-2C</b> Size:(LxWxH) 13.6x40.3x14.5mm	<b>PCT-2-3C</b> Size:(LxWxH) 18.6x40.3x14.5mm	<b>PCT-2-4C</b> Size:(LxWxH) 23.6x40.3x14.5mm	<b>PCT-2-5C</b> Size:(LxWxH) 28.6x40.3x14.5mm	

## Compact Splicing Connectors 紧凑型快速连接器



\* PCT-10/20 Series compact splicing connectors are used for junction box and lighting applications, etc.  
 \* The wire area are ranges from 0.75 to 2.5mm<sup>2</sup>. The insert part doesn't need to peel off the insulating layer, which is very easy to operate and also save much time.  
 \* PCT-10/20系列产品适用于接线盒以及照明器具等的接线。  
 \* 导线面积从0.75mm<sup>2</sup>到2.5mm<sup>2</sup>不等, 可保障高性能的连接。连接头(插入口)不需要剥离绝缘层, 操作简单、节省时间。



接线端子系列

接线端子系列

### Cage Spring Terminal Block 笼式弹簧接线端子

For hard wire and flexible wire 软硬线通用

#### 41 Series 41系列

接线范围/Wire Range: 硬线/Hard Wire: 0.2-4.0mm <sup>2</sup> 软线/Flexible Wire: 0.14-4.0mm <sup>2</sup>		电压/Voltage: 450V 电流/Current: 32A 材质/Material: PC	 9-10mm/0.39in
<b>PCT-412</b> Size:(LxWxH) 13x19.4x9.6MM	<b>PCT-413</b> Size:(LxWxH) 18.6x19.4x9.6MM	<b>PCT-414</b> Size:(LxWxH) 24.2x19.4x9.6MM	<b>PCT-415</b> Size:(LxWxH) 29.8x19.4x9.6MM

### 4mm<sup>2</sup> Deconcentrator 4mm<sup>2</sup>分线器

接线范围/Wire Range: 硬线/Hard Wire: 0.08-4.0mm <sup>2</sup> AWG28-12 软线/Flexible Wire: 0.08-2.5mm <sup>2</sup> AWG28-14		电压/Voltage: 250V 电流/Current: 32A 材质/Material: PA66/PC	 9-10mm/0.39in
<b>YS-42</b> Size:(LxWxH) 24.55x31.5x13.5MM	<b>YS-62</b> Size:(LxWxH) 33x31.5x13.5MM	<b>YS-63</b> Size:(LxWxH) 33.5x39.6x15.6MM	<b>YS-93</b> Size:(LxWxH) 49.5x39.6x15.6MM

### Plug-in Terminal Block 插拔式接线端子

For Hard Wire 硬线专用

#### 10 Series 10系列

接线范围/Wire Range: 硬线/Hard Wire: 0.75-2.5mm <sup>2</sup> AWG18-14		电压/Voltage: 400V 电流/Current: 24A 材质/Material: PC	 12mm/0.47in
<b>PCT-102</b> Size: 9.3x19.4x13.4mm	<b>PCT-104</b> Size: 13x19.4x13.4mm	<b>PCT-106</b> Size: 18.6x19.4x13.4mm	<b>PCT-108</b> Size: 24.1x19.4x13.4mm

#### 20 Series 20系列

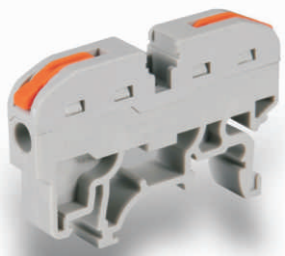
接线范围/Wire Range: 硬线/Hard Wire: 0.5-2.5mm <sup>2</sup>		电压/Voltage: 450V 电流/Current: 24A 材质/Material: PC	 11mm/0.47in
<b>PCT-202</b> Size: 9.8x16.35x5.4MM	<b>PCT-203</b> Size: 13.8x16.35x5.4MM	<b>PCT-204</b> Size: 17.8x16.35x5.4MM	<b>PCT-205</b> Size: 21.8x16.35x5.4MM

### Compact Splicing Connectors 紧凑型快速连接器

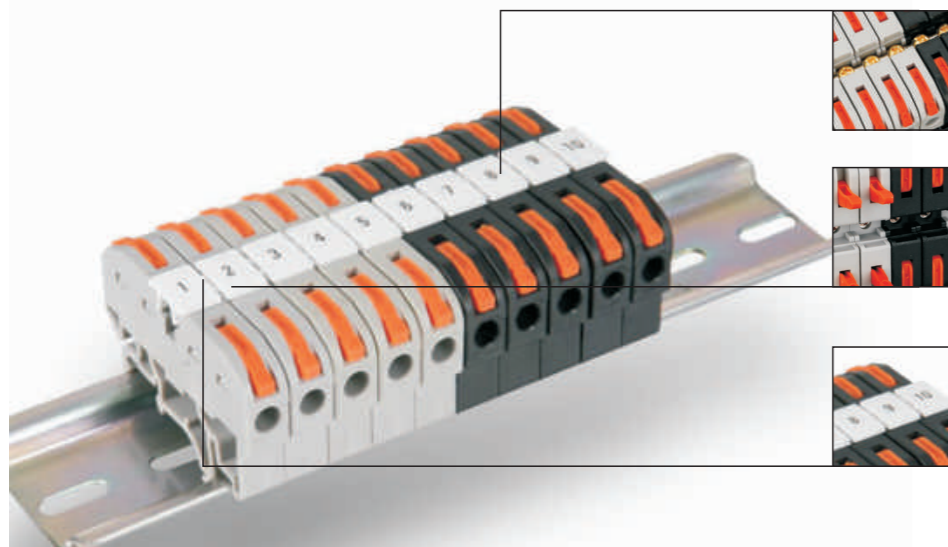
<b>YS-211</b>	接线范围/Wire Range: 硬线/Hard Wire: 0.08-4.0mm <sup>2</sup> AWG28-12 软线/Flexible Wire: 0.08-2.5mm <sup>2</sup> AWG28-14
Size: 8.5x39.3x16mm	



<b>PCT-211</b>	接线范围/Wire Range: 硬线/Hard Wire: 0.08-4.0mm <sup>2</sup> AWG28-12 软线/Flexible Wire: 0.08-2.5mm <sup>2</sup> AWG28-14	电压/Voltage: 400V 电流/Current: 32A 材质/Material: Nylon	 9-10mm/0.39in
Size: 48x30.6x8mm			



Din Rail Terminal Block: PCT-211 can replace UK series, Screwless design  
轨道式接线端子：PCT-211可代替UK系列，免螺丝设计



- 锁上螺丝可实现并联，一进多出  
Lock the screws can achieve parallel connection, one line in and more out.
- 不锁上螺丝，孔与孔之间相互独立，一进一出  
Do not lock the screw, the holes are independent of each other, one line in and one out.
- 可添加橡胶键用数字可快速区分线  
Rubber buttons can be added to quickly distinguish lines with numbers.

Yueqing Ouyi Electrical Co.,Ltd.

## WATERPROOF CONNECTOR SERIES 防水连接器系列

专注，所以更专业！

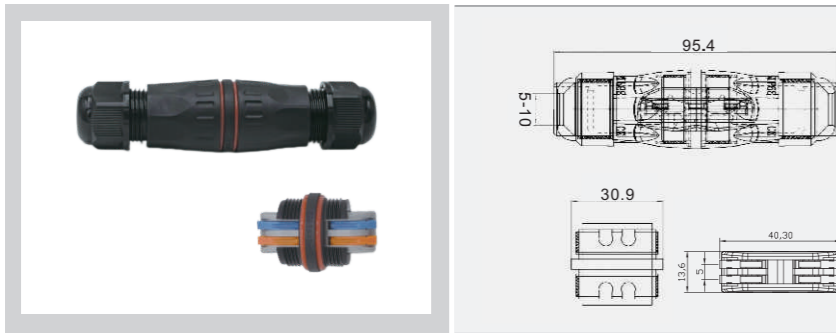
Dedicated  
makes professional.



## Waterproof Connector Series 防水连接器系列

### ZYN09

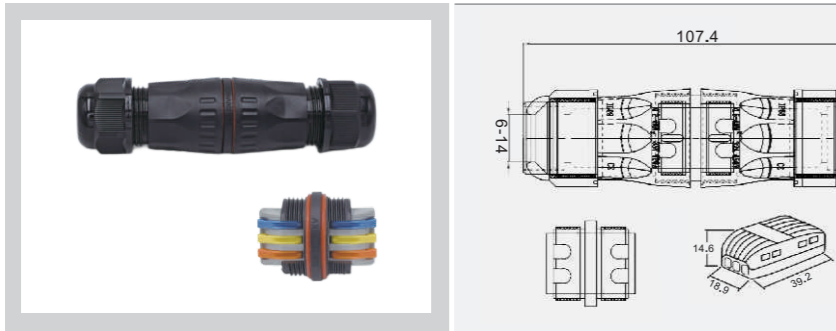
WATERPROOF CONNECTOR SERIES  
防水连接器系列



型号/Model: ZYN09

电流/Current: ≤ 32A  
电压/Voltage: 250V  
IP等级/IP Grade: IP68  
工作温度/Working: -40℃ ~ +95℃  
线径/Outer Cable Dia.: 5-10mm(M20)  
软线接线范围/Wire Section: 0.5mm<sup>2</sup>-2.5mm<sup>2</sup>  
硬线接线范围/Wire Section: 0.5mm<sup>2</sup>-4mm<sup>2</sup>  
材质/Housing Material: PA66  
触点/Contact Material: 紫铜/Red Copper

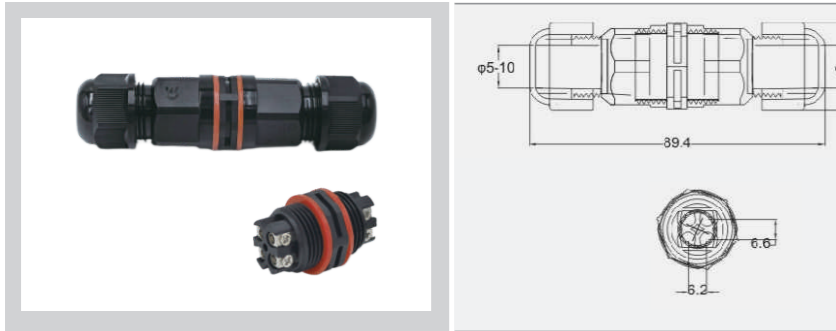
### ZYN10



型号/Model: ZYN10

电流/Current: ≤ 32A  
电压/Voltage: 250V  
IP等级/IP Grade: IP68  
工作温度/Working: -40℃ ~ +95℃  
线径/Outer Cable Dia.: 6-14mm(M25)  
软线接线范围/Wire Section: 0.5mm<sup>2</sup>-2.5mm<sup>2</sup>  
硬线接线范围/Wire Section: 0.5mm<sup>2</sup>-4mm<sup>2</sup>  
材质/Housing Material: PA66  
触点/Contact Material: 紫铜/Red Copper

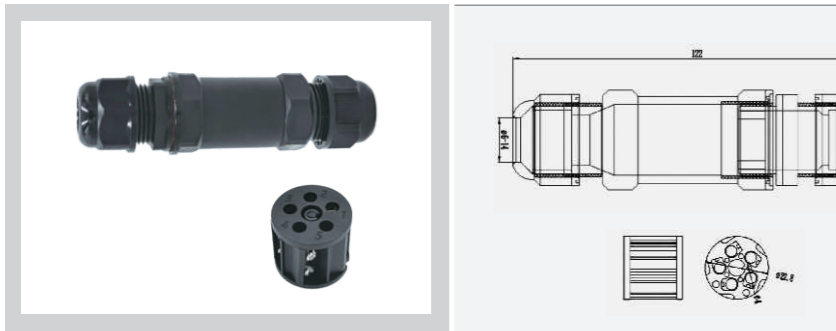
### ZYN11



型号/Model: ZYN11-2 二芯 ZYN11-3 三芯  
ZYN11-4 四芯

电流/Current: ≤ 24A  
电压/Voltage: 450V  
IP等级/IP Grade: IP68  
工作温度/Working: -40℃ ~ +95℃  
线径/Outer Cable Dia.: 5-10mm(M20)  
软线接线范围/Wire Section: 0.5mm<sup>2</sup>-2.5mm<sup>2</sup>  
硬线接线范围/Wire Section: 0.5mm<sup>2</sup>-4mm<sup>2</sup>  
材质/Housing Material: PA66  
触点/Contact Material: 黄铜/Brass

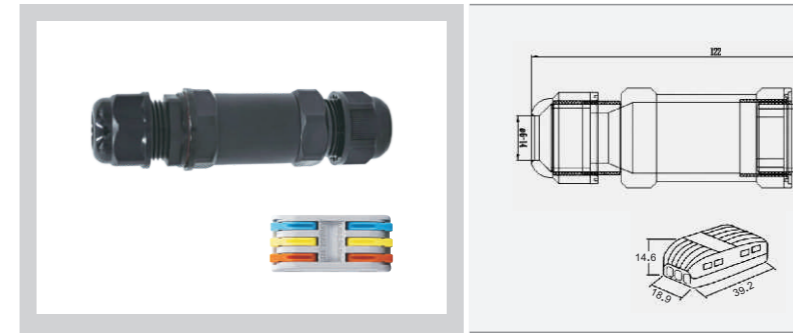
### ZYN12



型号/Model: ZYN12-2 二芯 ZYN12-3 三芯  
ZYN12-4 四芯 ZYN12-5 五芯

电流/Current: ≤ 24A  
电压/Voltage: 450V  
IP等级/IP Grade: IP68  
工作温度/Working: -40℃ ~ +95℃  
线径/Outer Cable Dia.: 6-14mm(M25)  
软线接线范围/Wire Section: 0.5mm<sup>2</sup>-2.5mm<sup>2</sup>  
硬线接线范围/Wire Section: 0.5mm<sup>2</sup>-4mm<sup>2</sup>  
材质/Housing Material: PA66  
触点/Contact Material: 黄铜/Brass


### ZYN13



型号/Model: ZYN13

电流/Current: ≤ 32A  
电压/Voltage: 250V  
IP等级/IP Grade: IP68  
工作温度/Working: -40℃ ~ +95℃  
线径/Outer Cable Dia.: 6-14mm(M25)  
软线接线范围/Wire Section: 0.5mm<sup>2</sup>-2.5mm<sup>2</sup>  
硬线接线范围/Wire Section: 0.5mm<sup>2</sup>-4mm<sup>2</sup>  
材质/Housing Material: PA66  
触点/Contact Material: 紫铜/Red Copper


### ZYN15



型号/Model: ZYN15-3 三芯  
ZYN15-4 四芯 ZYN15-5 五芯

电流/Current: ≤ 24A  
电压/Voltage: 250V  
IP等级/IP Grade: IP68  
工作温度/Working: -40℃ ~ +95℃  
线径/Outer Cable Dia.: 6-14mm(M25)  
软线接线范围/Wire Section: 0.5mm<sup>2</sup>-2.5mm<sup>2</sup>  
硬线接线范围/Wire Section: 0.5mm<sup>2</sup>-4mm<sup>2</sup>  
材质/Housing Material: PA66  
触点/Contact Material: 黄铜/Brass


### ZYN16



型号/Model: ZYN16

电流/Current: ≤ 32A  
电压/Voltage: 250V  
IP等级/IP Grade: IP68  
工作温度/Working: -40℃ ~ +95℃  
线径/Outer Cable Dia.: 6-14mm(M25)  
软线接线范围/Wire Section: 0.5mm<sup>2</sup>-2.5mm<sup>2</sup>  
硬线接线范围/Wire Section: 0.5mm<sup>2</sup>-4mm<sup>2</sup>  
材质/Housing Material: PA66  
触点/Contact Material: 紫铜/Red Copper

### ZYN17



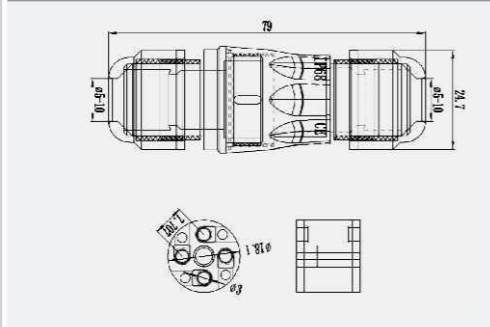
型号/Model: ZYN17

电流/Current: ≤ 32A  
电压/Voltage: 250V  
IP等级/IP Grade: IP68  
工作温度/Working: -40℃ ~ +95℃  
线径/Outer Cable Dia.: 6-14mm(M25)  
软线接线范围/Wire Section: 0.5mm<sup>2</sup>-2.5mm<sup>2</sup>  
硬线接线范围/Wire Section: 0.5mm<sup>2</sup>-4mm<sup>2</sup>  
材质/Housing Material: PA66  
触点/Contact Material: 紫铜/Red Copper



## Waterproof Connector Series 防水连接器系列

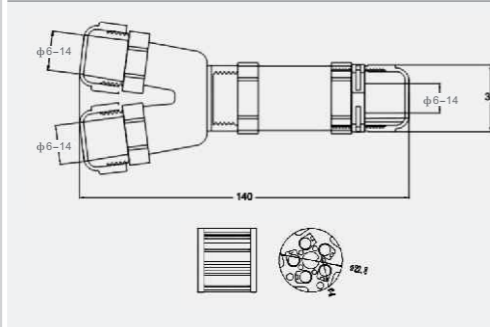
### ZYN14



型号/Model: ZYN14-2 二芯 ZYN14-3 三芯  
ZYN14-4 四芯

电流/Current:  $\leq 24A$   
电压/Voltage: 250V  
IP等级/IP Grade: IP68  
工作温度/Working:  $-40^{\circ}C \sim +95^{\circ}C$   
线径/Outer Cable Dia.: 5-10mm(M20)  
软线接线范围/Wire Section:  $0.5mm^2 \sim 1.5mm^2$   
硬线接线范围/Wire Section:  $0.5mm^2 \sim 2.5mm^2$   
材质/Housing Material: Pa66  
触点/Contact Material: 黄铜/Brass

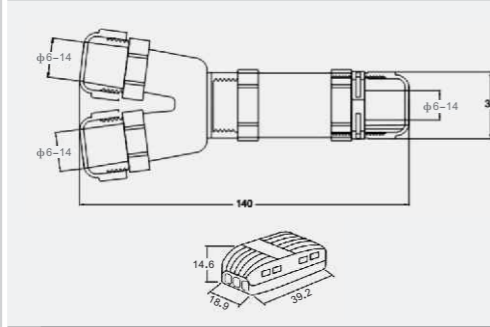
### ZYY1



型号/Model: ZYY1-2 二芯 ZYY1-3 三芯  
ZYY1-4 四芯 ZYY1-5 五芯

电流/Current:  $\leq 24A$   
电压/Voltage: 450V  
IP等级/IP Grade: Ip68  
工作温度/Working:  $-40^{\circ}C \sim +95^{\circ}C$   
线径/Outer Cable Dia.: 6-14mm(M25)  
软线接线范围/Wire Section:  $0.5mm^2 \sim 2.5mm^2$   
硬线接线范围/Wire Section:  $0.5mm^2 \sim 4mm^2$   
材质/Housing Material: Pa66  
触点/Contact Material: 黄铜/Brass

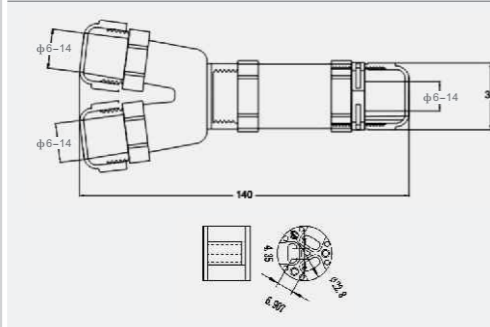
### ZYY2



型号/Model: ZYY2

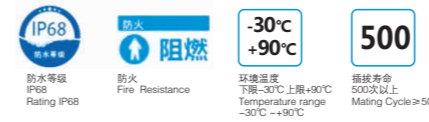
电流/Current:  $\leq 32A$   
电压/Voltage: 250V  
IP等级/IP Grade: Ip68  
工作温度/Working:  $-40^{\circ}C \sim +95^{\circ}C$   
线径/Outer Cable Dia.: 6-14mm(M25)  
软线接线范围/Wire Section:  $0.5mm^2 \sim 2.5mm^2$   
硬线接线范围/Wire Section:  $0.5mm^2 \sim 4mm^2$   
材质/Housing Material: Pa66  
触点/Contact Material: 紫铜/Red Copper

### ZYY3

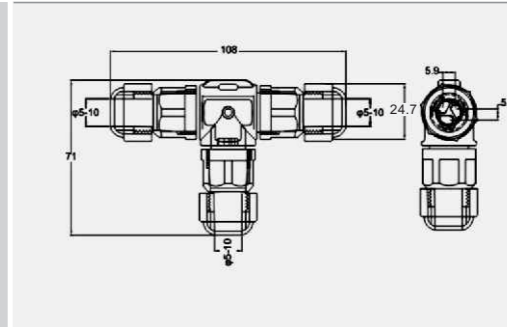


型号/Model: ZYY3-2 二芯 ZYT3-3 三芯

电流/Current:  $\leq 24A$   
电压/Voltage: 250V  
IP等级/IP Grade: IP68  
工作温度/Working:  $-40^{\circ}C \sim +95^{\circ}C$   
线径/Outer Cable Dia.: 6-14mm(M25)  
软线接线范围/Wire Section:  $0.5mm^2 \sim 2.5mm^2$   
硬线接线范围/Wire Section:  $0.5mm^2 \sim 4mm^2$   
材质/Housing Material: PA66  
触点/Contact Material: 黄铜/Brass



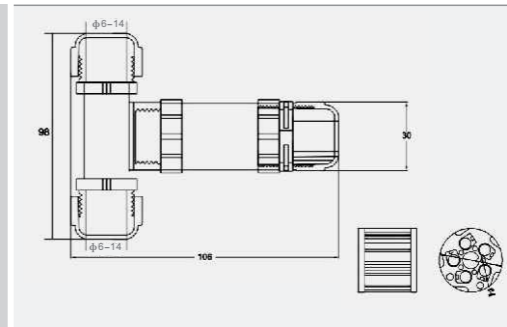
### ZYT1



型号/Model: ZYT1-2 二芯 ZYT1-3 三芯

电流/Current:  $\leq 24A$   
电压/Voltage: 450V  
IP等级/IP Grade: Ip68  
工作温度/Working:  $-40^{\circ}C \sim +95^{\circ}C$   
线径/Outer Cable Dia.: 5-10mm(M20)  
软线接线范围/Wire Section:  $0.5mm^2 \sim 2.5mm^2$   
硬线接线范围/Wire Section:  $0.5mm^2 \sim 4mm^2$   
材质/Housing Material: Pa66  
触点/Contact Material: 黄铜/Brass

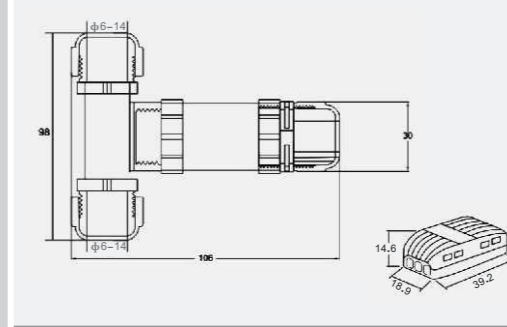
### ZYT2



型号/Model: ZYT2-2 二芯 ZYT2-3 三芯  
ZYT2-4 四芯 ZYT2-5 五芯

电流/Current:  $\leq 24A$   
电压/Voltage: 450V  
IP等级/IP Grade: Ip68  
工作温度/Working:  $-40^{\circ}C \sim +95^{\circ}C$   
线径/Outer Cable Dia.: 6-14mm(M25)  
软线接线范围/Wire Section:  $0.5mm^2 \sim 2.5mm^2$   
硬线接线范围/Wire Section:  $0.5mm^2 \sim 4mm^2$   
材质/Housing Material: Pa66  
触点/Contact Material: 紫铜/Red Copper

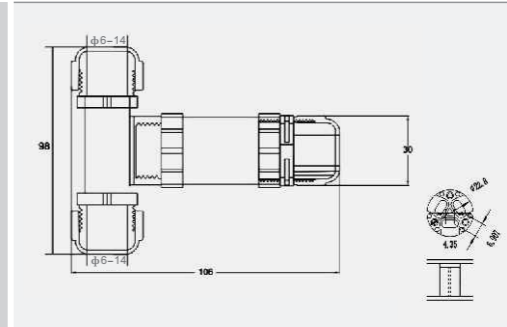
### ZYT3



型号/Model: ZYT3

电流/Current:  $\leq 32A$   
电压/Voltage: 250V  
IP等级/IP Grade: Ip68  
工作温度/Working:  $-40^{\circ}C \sim +95^{\circ}C$   
线径/Outer Cable Dia.: 6-14mm(M25)  
软线接线范围/Wire Section:  $0.5mm^2 \sim 2.5mm^2$   
硬线接线范围/Wire Section:  $0.5mm^2 \sim 4mm^2$   
材质/Housing Material: Pa66  
触点/Contact Material: 黄铜/Brass

### ZYT4



型号/Model: ZYT4-2 二芯 ZYT4-3 三芯

电流/Current:  $\leq 32A$   
电压/Voltage: 250V  
IP等级/IP Grade: IP68  
工作温度/Working:  $-40^{\circ}C \sim +95^{\circ}C$   
线径/Outer Cable Dia.: 6-14mm(M25)  
软线接线范围/Wire Section:  $0.5mm^2 \sim 2.5mm^2$   
硬线接线范围/Wire Section:  $0.5mm^2 \sim 4mm^2$   
材质/Housing Material: PA66  
触点/Contact Material: 黄铜/Brass



# ELECTRICAL PARTS SERIES

## 电器配件系列

### Insulated Terminals Series 预绝缘端头系列

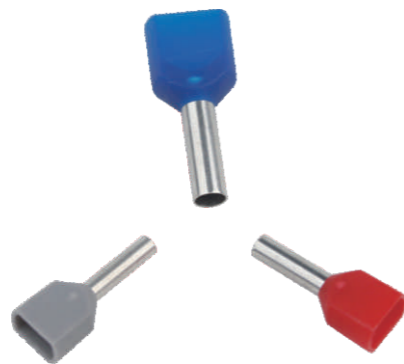
ELECTRICAL PARTS SERIES  
电器配件系列

#### Insulated Cord End Terminal 管形预绝缘端头



E0506	E4009
E0508	E4012
E0510	E4018
E7506	E6012
E7508	E6018
E7510	E10-12
E7512	E10-18
E1006	E16-12
E1008	E16-18
E1010	E25-16
E1012	E25-22
E1508	E35-16
E1510	E35-25
E1518	E50-20
E2508	E50-25
E2512	E70-20
E2518	E70-25

#### Cord End Terminals (Double Wire) 双线管形预绝缘端头



TE0508
TE7508
TE7510
TE1008
TE1010
TE1508
TE1512
TE2510
TE2513
TE4012
TE6014
TE10-14
TE16-14

#### Round Pre-insulating Terminal 圆形预绝缘端头



Size of cable: 0.5-1.5mm <sup>2</sup> (American standard 22-16) Max.Current=19A	Size of cable: 0.5-1.5mm <sup>2</sup> (American standard 16-14) Max.Current=27A	Size of cable: 2.5-4mm <sup>2</sup> (American standard 14-12) Max.Current=37A	Size of cable: 4-6mm <sup>2</sup> (American standard 12-10) Max.Current=48A
RV1.25-3.2	RV2-3.2	RV3.5-4	RV5.5-3.7
RV1.25-3.7S	RV2-3.7S	RV3.5-5S	RV5.5-4
RV1.25-3.7M	RV2-3.7M	RV3.5-5L	RVL5.5-4
RV1.25-3.7L	RV2-3.7L	RV3.5-6	RV5.5-5
RV1.25-4S	RV2-4S		RV5.5-6
RV1.25-4L	RV2-4L		RV5.5-8
RV1.25-5	RV2-5S		RV5.5-10
RV1.25-6	RV2-5L		RV5.5-12
RV1.25-8	RV2-6		
RV1.25-10	RV2-8		
	RV2-10		

#### Fork Pre-insulating Terminal 叉形预绝缘端头



Size of cable: 0.5-1.5mm <sup>2</sup> (American standard 22-16) Max.Current=19A	Size of cable: 0.5-1.5mm <sup>2</sup> (American standard 16-14) Max.Current=27A	Size of cable: 2.5-4mm <sup>2</sup> (American standard 14-12) Max.Current=37A	Size of cable: 4-6mm <sup>2</sup> (American standard 12-10) Max.Current=48A
SV1.25-3.2	SV2-3.2	SV3.5-4	SV5.5-3.5
SV1.25-3.7S	SV2-3.7S	SV3.5-5	SV5.5-4S
SV1.25-3.7L	SV2-3.7L	SV3.5-6	SV5.5-4L
SV1.25-4S	SV2-4S		SV5.5-5
SV1.25-4M	SV2-4M		SV5.5-6S
SV1.25-4L	SV2-4L		SV5.5-6L
SV1.25-5S	SV2-5S		SV5.5-8
SV1.25-5L	SV2-5L		
SV1.25-6S	SV2-6S		
SV1.25-6L	SV2-6L		

Non-Insulated Spade Terminal 叉形裸端头	Piggy Back Disconnectors 肩背形公母预绝缘端头	Insulated Male Terminals 公预绝缘端头
<p>SNB 1.25-3 SNBL 1.24-4 SNBS 1.25-3.5 SNBS 1.25-5 SNBL 1.25-3.5 SNBL 1.25-5 SNBM 1.25-4 SNBS 1.25-6 SNBS 1.25-4 SNBL 1.25-6</p>	<p>PBDD 1.25-250 PBDD 2-250 PBDD 5.5-250</p>	<p>MDD 1.25-110(8) MDD 2-187(5) MDD 1.25-187(5) MDD 2-187(8) MDD 1.25-187(8) MDD 2-250 MDD 1.25-250 MDD 5.5-250</p>
Long Full-insulating Middle Jiont 长形全绝缘中间接头	Bullet Insulated Connectors 子弹形公预绝缘端头	Fully Insulated Connectors 母全绝缘端头
<p>BV 1.25 BV 14 BV 2 BV 22 BV 5.5 BV 38 BV 8</p>	<p>MPD 1.25-156 MPD 2-156 MPD 2-195 MPD 5.5-195</p>	<p>FDFD 1.25-187(5) FDFD 2-187(5) FDFD 1.25-187(8) FDFD 2-187(8) FDFD 1.25-250 FDFD 2-250 FDFD 5.5-250</p>
Insulated Female Terminals 母预绝缘端头	Bullet Insulated Female Connectors 子弹形母全绝缘端头	Non-Insulated Ping Terminal 圆形裸端头
<p>FDD 1.25-110(5) FDD 2-110(5) FDD 1.25-110(8) FDD 2-110(8) FDD 1.25-187(5) FDD 2-187(5) FDD 1.25-187(8) FDD 2-187(8) FDD 1.25-205 FDD 2-205 FDD 1.25-250 FDD 5.5-250 FDD 2-312 FDD 5.5-375</p>	<p>FRD 1.25-156 FRD 5.5-195 FRD 2-156 FRD 2-195</p>	<p>RNB 8-4 RNB 8-8 RNBS 8-5 RNBL 8-6 RNBM 8-5 RNB 8-10 RNBL 8-5 RNB 8-12 RNBS 8-6 RNB 8-12</p>

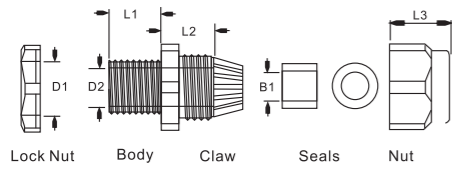
#### Packing Style 包装样式



### PG Type Nylon Cable Gland PG 型尼龙线缆接头



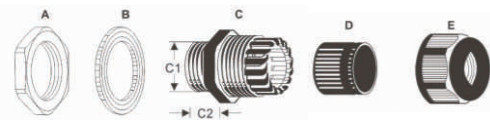
Model	D1	D2	L1	L2	L3	B1	Cable range (mm)
PG-07	10.9	8.1	10.4	14.5	10.5	6.4	3.5-6
PG-09	15.3	12.2	9.9	15.8	17.2	8.6	4-8
PG-11	17.9	14.6	10.6	15.5	17.5	10.7	5-10
PG-13.5	20.2	16.2	10.3	17.8	17.9	13.3	6-12
PG-16	21.3	18.3	11.2	18.5	20.5	14.3	10-14
PG-19	24.7	20.5	11.4	18.6	21.8	15.5	12-15
PG-21	26.9	21.8	11.6	18.7	23.1	16.7	13-18
PG-24	29.8	25.0	12.1	28.3	24.1	19.2	15-22
PG-29	35.1	29.8	12.4	22.6	24.8	24.8	18-25
PG-36	44.7	37.1	12.6	25.1	26.1	30.7	22-32
PG-42	50.4	43.3	17.3	25.9	30.5	35.6	30-38
PG-48	56.1	48.2	20.9	28.1	31.5	41.4	34-44



### M Type Nylon Cable Gland (Metric) M 型尼龙线缆接头(公制)



Model	Threaded entry metric	Thread O.D.C1	Thread length C2	Lock nut A	Cable range (mm)
M-12	M12x1.5	12	8	16	3-6.5
M-16	M16x1.5	16	8	19	4-8
M-18	M18x1.5	18	8	22	5-10
M-20	M20x1.5	20	10	24	6-12
M-22	M22x1.5	22	10	27	10-14
M-24	M24x1.5	24	10	27	12-16
M-25	M25x1.5	25	10	33	13-18
M-27	M27x1.5	27	10	33	13-18
M-30	M30x1.5	30	11	35	16-21
M-32	M32x1.5	32	11	35	16-21
M-36	M36x1.5	36	12	42	18-25
M-40	M40x1.5	40	14	52	22-32
M-50	M50x1.5	50	14	60	32-38
M-63	M63x1.5	63	15	64	37-44
M-71	M71x1.5	71	28	77	42-50



### Copper Cable Gland 铜线缆接头



Model	Model No.	Model No.	Model No.	Cable range (mm)
M12x1.5	PG7	NPT1/4	G 1/4	3-6
M16x1.5	PG9	NPT3/8	G3/8	4-8
M18x1.5	PG11			5-10
M20x1.5	PG13.5	NPT1/2	G1/2	6-12
M22x1.5	PG16			10-14
M24x1.5	PG19			12-15
M25x1.5				12-16
M27x1.5		NPT3/4	G3/4	13-18
M28x1.5	PG21			13-18
M30x1.5				13-18
M32x1.5	PG25			15-22
M33x1.5				15-22
M36x1.5		NPT1	G1	18-25
M37x1.5	PG29			18-25
M40x1.5		NPT1 1/4	G1 1/4	25-31
M47x1.5(2)	PG36			25-33
M48x1.5(2)				25-33
M50x1.5(2)		NPT1 1/2	G1 1/2	32-38
M54x1.5(2)	PG42			32-38
M56x1.5(2)				32-38
M60x1.5(2)	PG48	NPT2	G2	37-44
M63x1.5(2)				37-44
M64x1.5(2)				37-44
M70x1.5(2)		NPT2 1/2	G2 1/2	42-52
M71x1.5(2)	PG63			42-52
M72x1.5(2)				42-52
M80x1.5(2)				55-62
M88x1.5(2)		NPT3	G3	65-70
M90x1.5(2)				65-70
M100x1.5(2)				75-85

<h4>Cut Out Fuse Box 胶木接线盒</h4>	<h4>DMC Material Terminal Box - IP68 DMC 接线盒 - IP68</h4>	<h4>Aluminum Rotary Switch Box 铝旋转开关盒</h4>																																								
<h4>GMQ Series Din Rail GMQ 系列导轨</h4> <p>Length : 1 meter / 2 meter Thickness: 0.9/1.0/1.1/1.2/1.5mm</p>	<h4>U Type Bus Bar U型汇流排</h4> <table border="1"> <thead> <tr> <th>Model</th> <th>Rate</th> <th>Poles No</th> <th>Length</th> </tr> </thead> <tbody> <tr><td>GMU-1P</td><td>63A</td><td>56x1</td><td>1M</td></tr> <tr><td>GMU-2P</td><td>63A</td><td>27x2</td><td>1M</td></tr> <tr><td>GMU-3P</td><td>63A</td><td>18x3</td><td>1M</td></tr> <tr><td>GMU-4P</td><td>63A</td><td>14x4</td><td>1M</td></tr> </tbody> </table>	Model	Rate	Poles No	Length	GMU-1P	63A	56x1	1M	GMU-2P	63A	27x2	1M	GMU-3P	63A	18x3	1M	GMU-4P	63A	14x4	1M	<h4>Pin Type Bus Bar 针型汇流排</h4> <table border="1"> <thead> <tr> <th>Model</th> <th>Rate</th> <th>Poles No</th> <th>Length</th> </tr> </thead> <tbody> <tr><td>GMP-1P</td><td>63A</td><td>56x1</td><td>1M</td></tr> <tr><td>GMP-2P</td><td>63A</td><td>27x2</td><td>1M</td></tr> <tr><td>GMP-3P</td><td>63A</td><td>18x3</td><td>1M</td></tr> <tr><td>GMP-4P</td><td>63A</td><td>14x4</td><td>1M</td></tr> </tbody> </table>	Model	Rate	Poles No	Length	GMP-1P	63A	56x1	1M	GMP-2P	63A	27x2	1M	GMP-3P	63A	18x3	1M	GMP-4P	63A	14x4	1M
Model	Rate	Poles No	Length																																							
GMU-1P	63A	56x1	1M																																							
GMU-2P	63A	27x2	1M																																							
GMU-3P	63A	18x3	1M																																							
GMU-4P	63A	14x4	1M																																							
Model	Rate	Poles No	Length																																							
GMP-1P	63A	56x1	1M																																							
GMP-2P	63A	27x2	1M																																							
GMP-3P	63A	18x3	1M																																							
GMP-4P	63A	14x4	1M																																							
<h4>Butterfly Expansion Pipe 蝴蝶膨胀管</h4>	<h4>Butterfly Expansion Pipe 蝴蝶膨胀管</h4>	<h4>GMX Series Expand Plugs GMX 系列膨胀管</h4>																																								
<h4>Cable Clip 钢钉线卡</h4>	<h4>Air Filter 过滤网</h4>	<h4>Terminal Block 公母对插端子</h4>																																								

**Bending Machine**  
弯管机



GBM01: 20-25mm  
GBM02: 20-25-32mm



**Tube Bending Spring**  
弹簧棒



Art.No	Length(m)	Diam.(mm)	Meas(cm)	Pcs/Ctn	N.W(kg)
GBS-5516	55	Φ12	58×7×6	20	5.5
GBS-5520	55	Φ16	58×9×7	20	8
GBS-5525	55	Φ20	58×11×9	20	11
GBS-5532	55	Φ26	58×14×11	20	13

**Pipe Threading**  
套丝机 (板牙)



GPT01: 20-25mm

**Metal Pulling Spring**  
金属穿墙线



Model	Length(m)	Sizes(mm)	Art No	Length(m)	Sizes(mm)
GM-3205	5	3.2×0.5	M5005	5	5×0.5
GM-3210	10	3.2×0.5	M5010	10	5×0.5
GM-3215	15	3.2×0.5	M5015	15	5×0.5
GM-3220	20	3.2×0.5	M5020	20	5×0.5
GM-3225	25	3.2×0.5	M5025	25	5×0.5
GM-3230	30	3.2×0.5	M5030	30	5×0.5

**GFB Series Floor Box**  
GFB 系列地板插

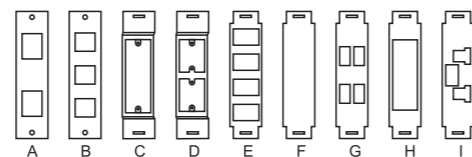


Model: GFB-01  
Size: 250×250×80mm



Model: GFB-02  
Size: 320×225×85mm

**Plate**



**GI Electrical Box**  
镀锌开关底盒

Material: Galvanized Plate  
Thickness: 0.5mm-1.2mm  
Art: One-time Molding

材质: 镀锌板  
厚度: 0.6mm-1.2mm  
工艺: 一次成型



MODEL: GBS35-33  
SIZE: 3"×3"  
BOX QTY: 10PCS  
CTN QTY: 200PCS



MODEL: GBS35-36  
SIZE: 3"×6"  
BOX QTY: 5PCS  
CTN QTY: 100PCS



MODEL: GBS35-331  
SIZE: 3"×3"+1  
BOX QTY: 5PCS  
CTN QTY: 100PCS



MODEL: GBS35-3311  
SIZE: 3"×3"+1+1  
BOX QTY: 5PCS  
CTN QTY: 80PCS



MODEL: GBS47-33  
SIZE: 3"×3"  
BOX QTY: 10PCS  
CTN QTY: 200PCS



MODEL: GBS47-36  
SIZE: 3"×6"  
BOX QTY: 5PCS  
CTN QTY: 100PCS



MODEL: GBS47-331  
SIZE: 3"×3"+1  
BOX QTY: 5PCS  
CTN QTY: 100PCS



MODEL: GBS47-3311  
SIZE: 3"×3"+1+1  
BOX QTY: 5PCS  
CTN QTY: 50PCS

**GPE Series PVC Electrical Switch Box**  
GPE 系列塑料开关盒



MODEL: GPE-1  
CTN QTY: 300PCS



MODEL: GPE-2  
CTN QTY: 200PCS



MODEL: GPE-3  
CTN QTY: 300PCS



MODEL: GPE-4  
CTN QTY: 200PCS